

Product specification

SKU : WEL-30-400

Category: Smart Electronic Padlock Sync



PRODUCT SPECIFICATION

Item Code: WEL-30-400

Category: Smart Electronic Padlock Sync

Issue Date: 11 May 2024

Edition V1.3

Product specification

SKU : WEL-30-400

Category: Smart Electronic Padlock Sync

1.0 Outside View



2.0 General Specification

Model	WEL-30-400
Description	Smart Electronic Padlock Sync
Operating Voltage	3~5.5VDC
No. of Operations	300,000 times
Lock Core	Hexagonal (360° Rotation, Anti-Pry)
Encoding and Encryption	AES
Unlocking Mode	Electronic Key Unlocking
IP Rating	IP68
Warranty	1 Year

3.0 Material Specification

No	Item	Specification
3.1	Body	SUS304
3.2	Shackle	SUS304

4.0 Environmental Conditions

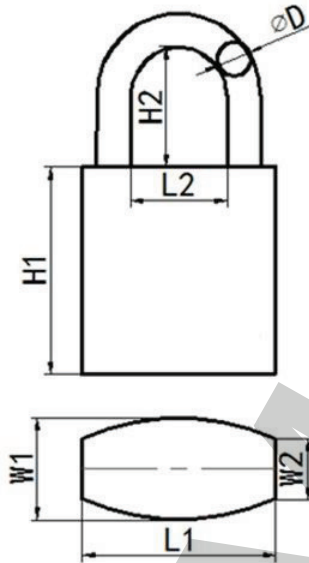
No	Item	Specification/Condition
4.1	Operating Conditions	Temperature: -40°C to 80°C, Humidity: 20% to 98%RH
4.2	Storage Conditions	Temperature: -40°C to 80°C, Humidity: 20% to 98%RH

Product specification

SKU : WEL-30-400

Category: Smart Electronic Padlock Sync

5.0 Dimensions



No.	Model No.	L1	L2	W1	W2	H1	H2	D
1	WEL-30-400	60	31	20	12.5	50	31.5	10