

Product Specifications

SKU : WEL-31

Category: Electronic BLE Key



PRODUCT SPECIFICATIONS

Item Code: WEL-31

Category : Electronic BLE Key

Issue Date: 21 June 2024

Edition V1.4

Product Specifications

SKU : WEL-31

Category: Electronic BLE Key

1.0 Outside View



2.0 General Specifications

Model	WEL-31
Description	Electronic BLE Key
Operating Voltage	4.2V
Charging Voltage	5V
Rechargeable Battery	250 mAh@3.7V
No. of Operations (Full Charge)	1000 times
Standby time	180 Days
Total Logs	2000
USB Interface	USB Type-C
BLE Version	V4.2
Warranty	1 Year

3.0 Material Specifications

No	Item	Specification
1	Key Body	Zinc Alloy Frame + ABS
2	Key Head	304 Stainless Steel
3	Key Head Pattern	Gold-plated Copper Contact, Hexagonal Type

Product Specifications

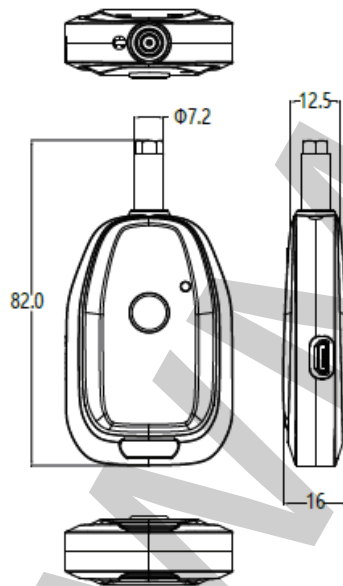
SKU : WEL-31

Category: Electronic BLE Key

4.0 Environmental Conditions

No	Item	Specification/Condition
4.1	Operating Temperature	-30°C to 70°C
4.2	Storage Temperature	-30°C to 70°C

5.0 Dimensions



6.0 Applications

Used to unlock smart padlock that has a hexagonal lock core.