

## Product Specifications

SKU : WEL-01F  
Category: Electronic BLE Padlock



# PRODUCT SPECIFICATION

**Item Code: WEL-01F**

**Category:** Electronic BLE Padlock

**Product Name:** WM Arculus

Issue Date: September 2024

Edition V2.1

# Product Specifications

SKU : WEL-01F  
Category: Electronic BLE Padlock



## 1.0 Outside View



## 2.0 General Specifications

Product Code	WEL-01F
Description	<b>Electronic BLE Padlock with a twist bottom</b>
Operating Voltage	2.3V to 3.0V DC
Encryption method	AES Encryption
Communication Interface	Bluetooth Low Energy
Bluetooth Version	BLE V5.0
No. of Operations	5000 times (Full Battery Capacity)
Log Storage	500 records
Battery	CR123A (1500mAh); Replaceable Battery
Emergency Key	Mechanical Key
IP Rating	IP68
Warranty	1 Year

# Product Specifications

SKU : WEL-01F  
Category: Electronic BLE Padlock



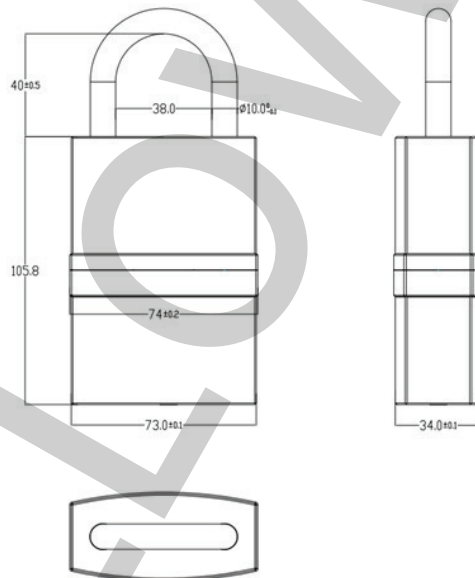
## 3.0 Material Specifications

No	Item	Specification
1	Body	304 Stainless Steel
2	Mechanical Lock Core	Copper
3	Shackle	304 Stainless Steel

## 4.0 Environmental Conditions

No	Item	Specification/Condition
4.1	Operating Conditions	Temperature: -10°C to 70°C, Humidity: 20%-100%RH
4.2	Storage Conditions	Temperature: -10°C to 80°C, Humidity: 20%-100%RH
4.3	Warranty period of electronic parts	1 year
4.4	Warranty period of mechanical parts	1 year

## 5.0 Dimensions



## 6.0 Applications

Telecommunication Facilities, Electrical Facilities, Banking, Oil, Railway, Municipal, Logistics and other areas that require a large number of locks.